

NÍTiD

S15P

15" TWO-WAY PASSIVE
FULL-RANGE SPEAKER SYSTEM

NÍTiD



ASYMMETRICAL
DISPERSION
HORN



VERSATILE FoH PA &
STAGE MONITOR



DEDICATED CONTROL
PRESETS with external Amate
Audio DSP processors &
processing amplifiers



HIGH RESISTANCE
POLYUREA® FINISH &
PROTECTIVE RUBBER PROFILES



EASY RIGGING &
INSTALLATION ACCESSORIES

Compact dual-purpose main PA and stage monitor system, the perfect compromise for any application. Delivering 800W, a slightly bigger format than its smaller version —the S12P— grants a lower bass response along with superb vocal articulation and crystal clear high frequencies, which make the S15P the ideally balanced, powerful sonic performance product.

KEY FEATURES

TRANSDUCER TECHNOLOGY

Two-way full range passive loudspeaker system comprising a direct radiating 3-inch voice coil, 15" loudspeaker and one 1.4-inch voice coil diameter, polyester diaphragm compression driver loaded to an asymmetrical rotational horn (50° to 100° x 55° dispersion).

POWER & CONTROL

800 W continuous musical program power handling.

An accurate internal passive crossover achieves optimum performance with high levels of protection for the high frequency driver.

Connectors mounted on an inclined recessed moulded connector plate for improved security and environmental protection.

Double Speakon NL4MP® (input & link).

Dedicated control presets available with Amate Audio LMS series DSP processors and TPD series processing amplifiers.

DESIGN & ACCESSORIES

Recessed ergonomic carry handle for easy handling.

Asymmetric trapezoidal form for PA or floor monitor application.

Exclusive 1.5mm black mesh speaker grille with optimum perforation gradient and attractive appearance.

Multilayer birch plywood cabinet with Polyurea® coating and protective rubber profiles, providing maximum robustness and strength for touring, events production, venue installation and other highly demanding applications.

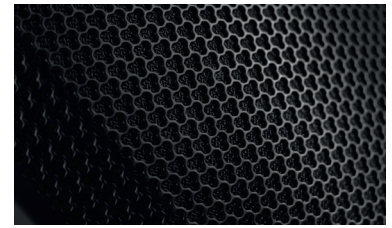
M8 rigging points for easy flying.

35mm diameter pole mount socket mounted on the bottom side, for a standard tripod.

TECHNICAL FEATURES

Power (musical program)	800 W				
Power (r.m.s)	400 W				
Nominal Impedance	8Ω				
SPL(1W/1m)	99 dB				
Maximum SPL(continuous/1m)	128 dB				
Maximum SPL(peak/1m)	131 dB				
Crossover frequency	1k5 Hz				
Frequency Response (-10dB)	50 Hz – 19 kHz				
Components	<table border="0"> <tr> <td>LF - MF</td> <td>15" woofer (3" voice coil)</td> </tr> <tr> <td>HF</td> <td>1.4" polyester diaphragm compression driver</td> </tr> </table>	LF - MF	15" woofer (3" voice coil)	HF	1.4" polyester diaphragm compression driver
LF - MF	15" woofer (3" voice coil)				
HF	1.4" polyester diaphragm compression driver				
Directivity (-6dB)	50° to 100° x 55°				
Directivity factor (Q)	12.6				
Directivity Index (DI)	11 dB				
Weight	24.8 Kg				
Finish	Multilayer birch plywood with high resistant black Polyurea® coating and protective rubber profiles				
Dimensions (H x W x D)	733 x 423 x 460 mm				
Grille	1.5 mm powder coated steel with black acoustic mesh				
Rigging	M8 points				
Connectors	1x Speakon NL4MP input / 1x Speakon NL4MP link				

DISCOVER NÍTiD



UNIQUE DESIGN

New S-series models build on the success, innovation and best-in-class performance of the original Nítid designs with improved features including a recessed moulded connector plate, more highly stylised form factor and improved robustness of the world's most acoustically transparent pro-audio speaker grille.



THE PERFECT BALANCE

An ongoing programme of research and development ensures that Nítid series loudspeakers continue to achieve the highest levels of output and performance from the most compact sized designs, in an unrivalled synthesis of engineering and aesthetic form.



TOP VIEW



BOTTOM VIEW



SIDE VIEW

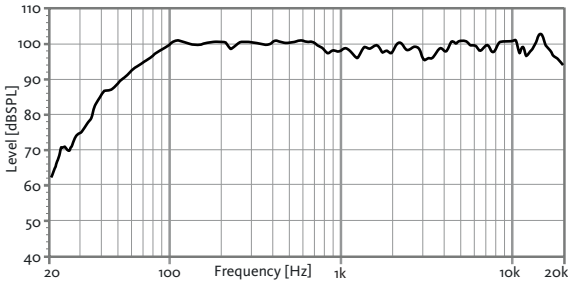


FRONT VIEW

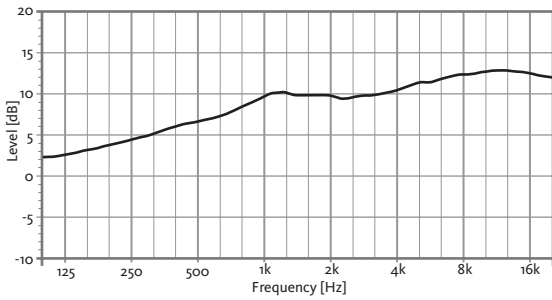


REAR VIEW

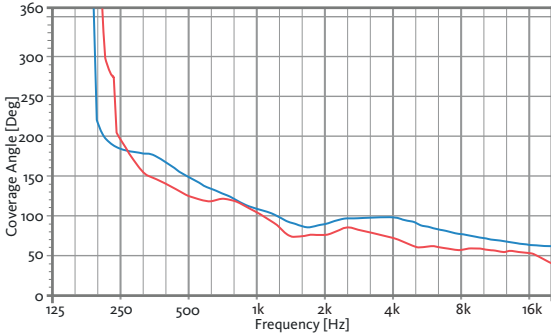
FREQUENCY RESPONSE 1W/1m



DIRECTIVITY INDEX (DI)

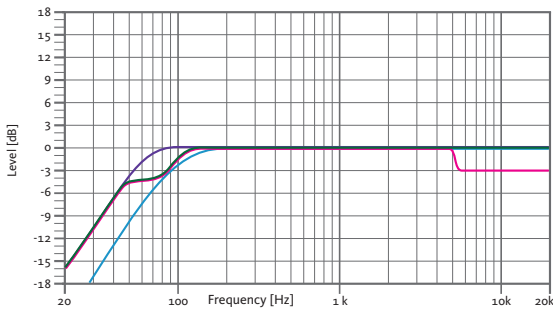


HORIZONTAL & VERTICAL BEAMWIDTH (-6dB point)



HORIZONTAL VERTICAL

RECOMMENDED PRESETS with external Amate Audio DSP



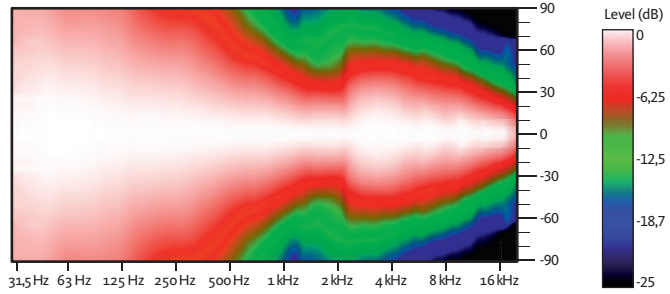
FLAT
Flat response

SPEECH
Vocal use

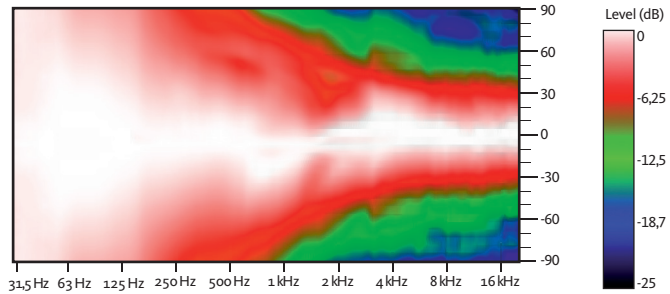
HPF90
HPF 90 Hz

MONITOR
Stage monitor use

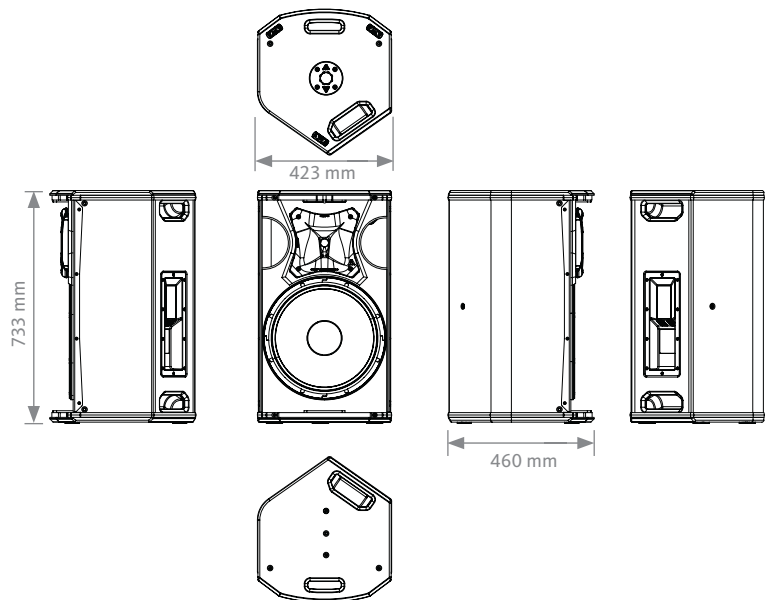
HORIZONTAL COVERAGE



VERTICAL COVERAGE



CAD DRAWING SCHEME



S15P

15" TWO-WAY PASSIVE FULL-RANGE SPEAKER SYSTEM



ACCESSORIES

WALL MOUNT BRACKET

UB-L



WALL-MOUNT BRACKET

SP-WHR



FLYING BAR

HR-LU



FLYING BAR WITH HOOK

HR-LU/GT



SAFETY SLING

SC-15



M8 RIGGING EYEBOLT

ACR-M8



FLIGHT CASE

FC-S15

for two units of S15P



TELESCOPIC DISTANCE ROD

SP-CRTL

ø: 35 mm
Length: 55 cm ~ 90 cm
Thread: M20



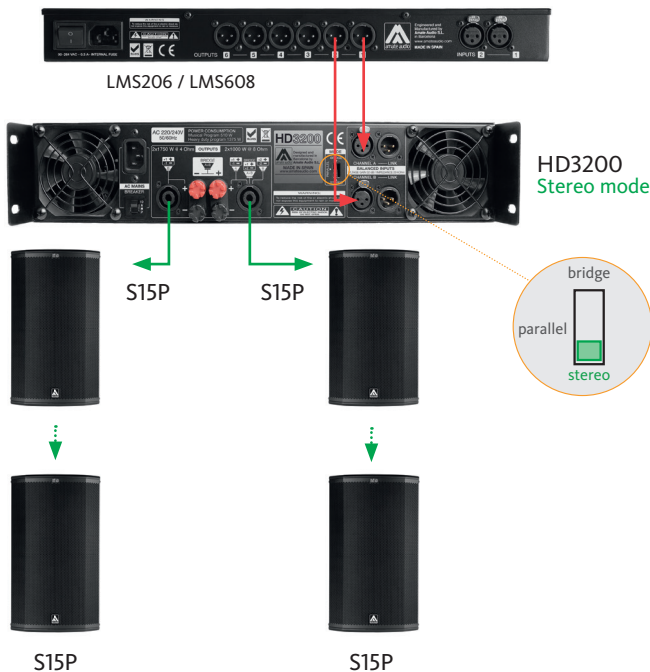
RECOMMENDED CONFIGURATION

FOR S15P (2 units)

Connect each cabinet output of the amplifier LEFT/RIGHT to each cabinet using two independent wires

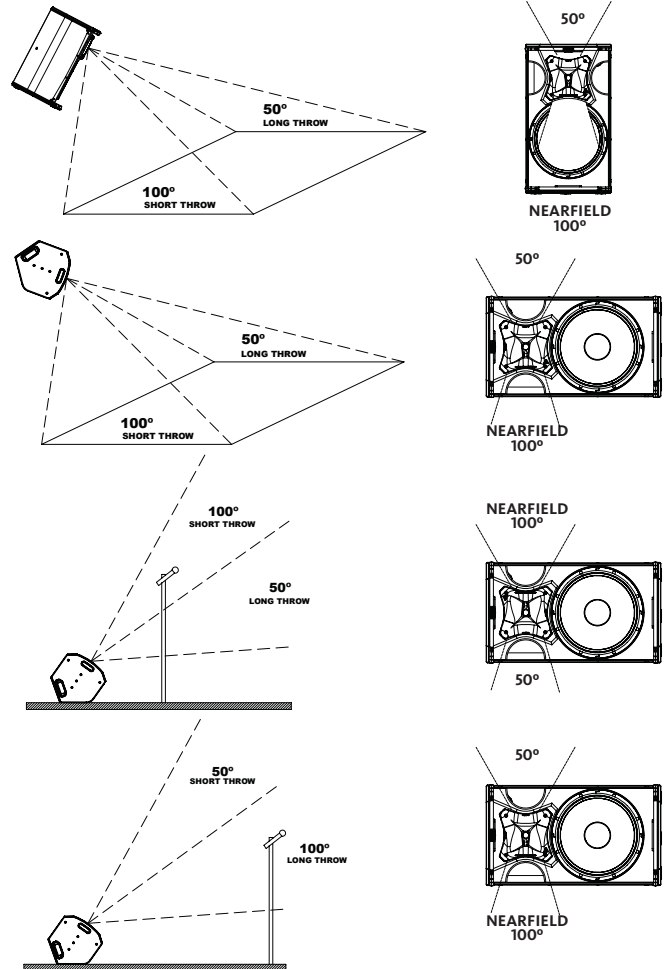
FOR S15P (4 units)

Connect the amplifier's output to the Speaker's input of the first cabinet. Then, make a bridge from the first cabinet to the second one. This configuration allows you to connect up to four cabinets to the same amplifier.



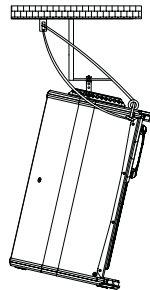
ASYMMETRICAL DISPERSION HORN

It allows to optimize the coverage depending on its position.



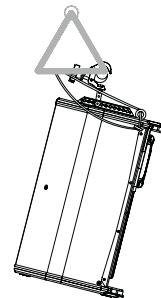
VERTICAL COLUMN-MOUNT

HR-LU + SC-15



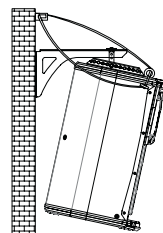
VERTICAL TRUSS-MOUNT

HR-LU/GT + SC-15



VERTICAL WALL-MOUNT

SP-WHR + SC-15



HORIZONTAL WALL-MOUNT

UB-L + SC-15

